

RESISTOR PACK

END OF LINE, 5% ACCURACY



ADI PRO's end of line terminal block resistor helps to prevent false alarms and provide zone supervision within fire and intrusion alarm systems. With 5% accuracy and known value, the resistor allows a control panel to more effectively differentiate between normal operation and fault or alarm conditions. The terminal block resistor also helps to secure wires.



FEATURES

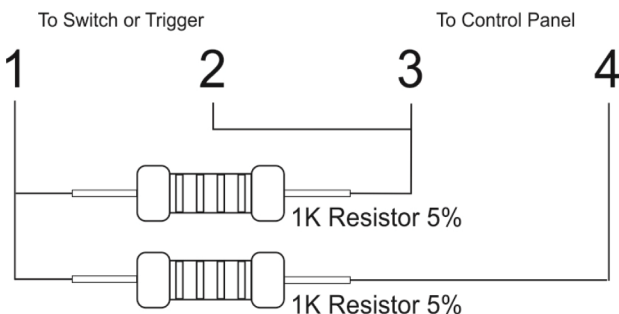
Ideal for end of line applications with closed loop or open loop switches

Two 1K resistors per unit safely convert electrical energy to heat at the rate of 1/8 watt

Quick and easy to connect, with four pins per unit

5% resistance accuracy

Limited Lifetime Warranty



Normal Resistance: 2K Ω ; Alarm Resistance: 1K Ω
Shorted Resistance: 0 Ω ; Open Resistance: Infinite Ω

0E-MCR21KPK4

Product Specifications

PART #: 0E-MCR21KPK4
UPC: 840049306974

Case Dimensions:

1" x 0.5" x 0.5" (24 x 14 x 13mm)

Color: Black and green

Power Input: 12VDC

Package Quantity: 10 units



For more information contact your ADI Sales person or visit adiglobal.com/adiexclusivebrands